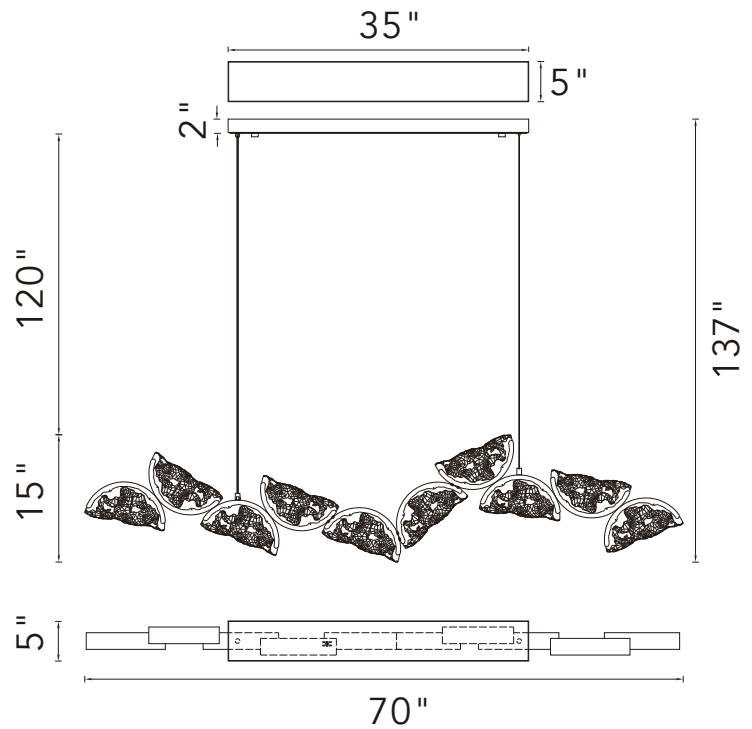




PROJECT: \_\_\_\_\_  
 FIXTURE TYPE: \_\_\_\_\_  
 LOCATION: \_\_\_\_\_  
 CONTACT/PHONE: \_\_\_\_\_



Item	1715P70-10-101
Collection	MOON
Category	Chandelier
Finish	Black
Glass	Clear
Crystal	-----
Acrylic	-----

Shade Color	-----
Min Assembled Height	17"
Max Assembled Height	137"
Width	70"
Length	5"
Extension Wall Mounts	-----
Input	120V AC,60HZ,AC

Lumens	2340
Light Source	LED
Bulb Info.	45W
Included	-----
Dimmable	Yes
Colour Temp	3000,4000,5000K
Weight	53 Lbs

CWI Lighting  
 2775 Broadway  
 Buffalo, NY 14227  
 USA

CWI Lighting  
 140 Steelcase Rd. W.  
 Markham ON. L3R 3J9  
 Canada

Dallas Showroom  
 Showroom #: 4707  
 2100 N. Stemmons Frwy.  
 Dallas, TX 75207

Email: info@cwilighting.com  
 Toll: 1-877-564-6034  
 www.cwilighting.com

